



Lincoln Logs®

Fort

INSTRUCTIONS

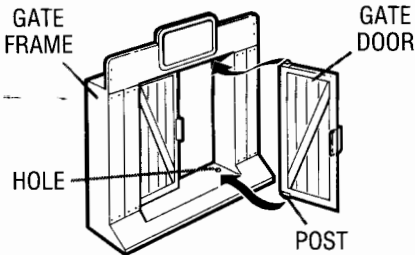
Lincoln Logs are made of real wood for lasting durability and good looks. Easy-fitting plastic accessories, including roofs, flags, and a gate add colorful fun.

These instructions show you how to make the sets pictured. Using your own creativity, you can make many other structures with this set or combine this set with other Lincoln Logs sets to create larger and more exciting layouts.



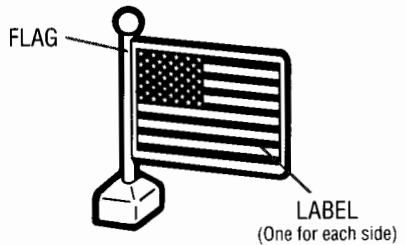
Questions? Call: **1-800-PLAYSKL™**

TO INSERT GATE DOORS INTO GATE FRAME:



Snap posts on gate doors into holes in top and bottom of gate frame.

LABEL APPLICATION



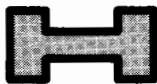
Peel and apply labels to both flags as shown.

Fort Set Includes

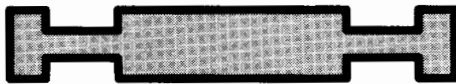
1 GATE

2 FLAGS

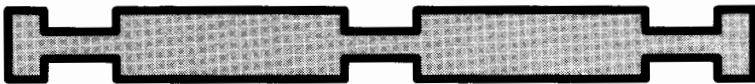
2 ROOFS



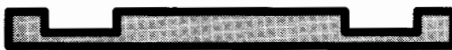
(34) #1 LOGS



(41) #3 LOGS



(4) #4 LOGS



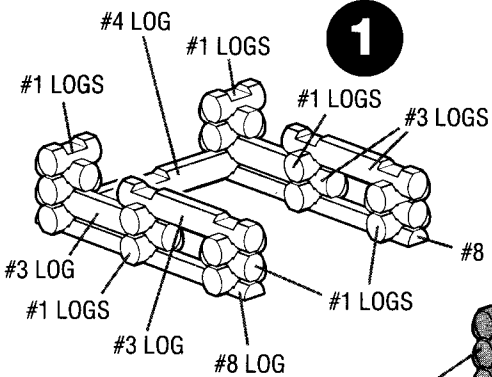
(4) #5 LOGS



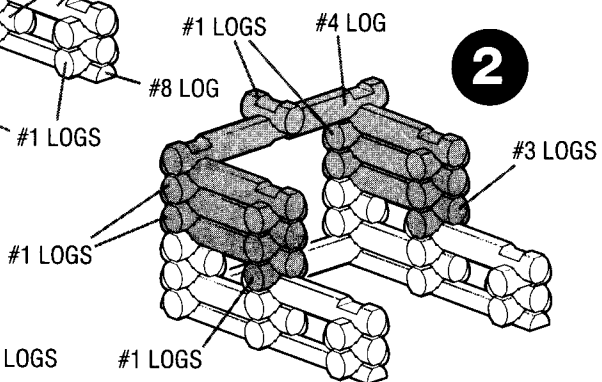
(2) #8 LOGS

FORT #1 (6 Steps)

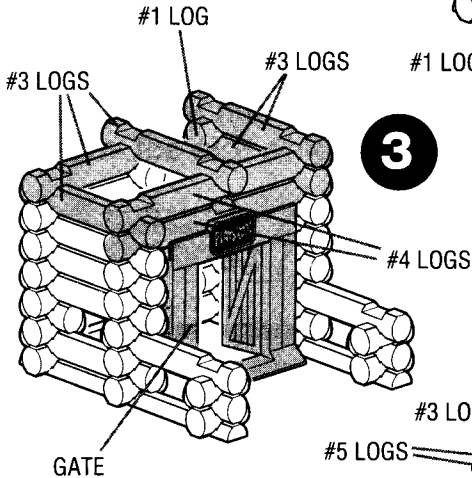
1



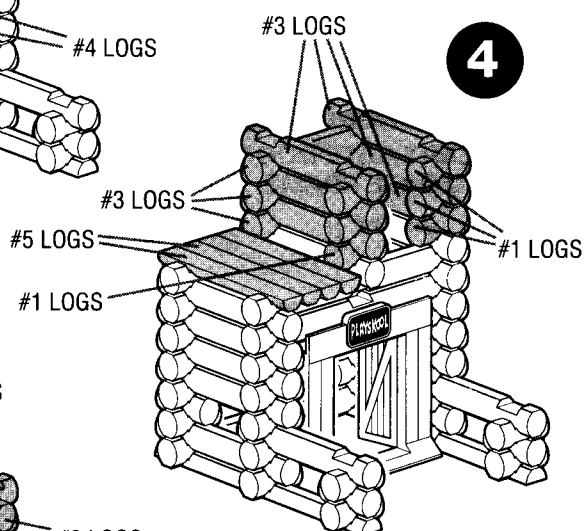
2



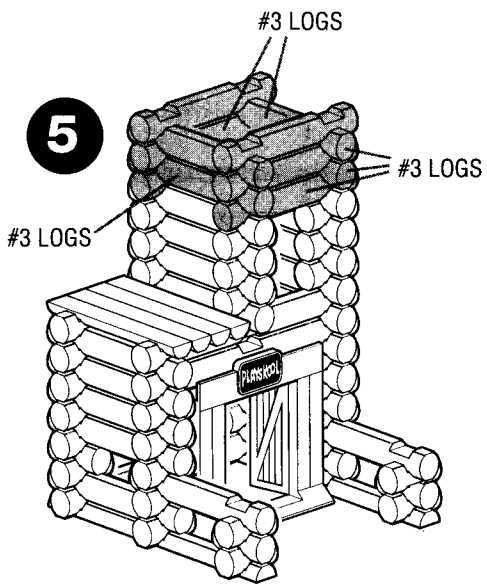
3



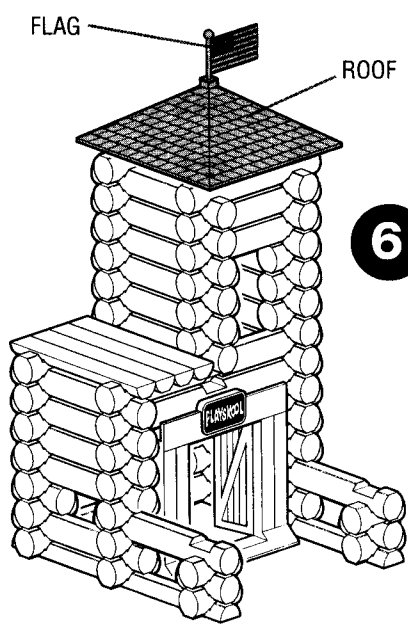
4



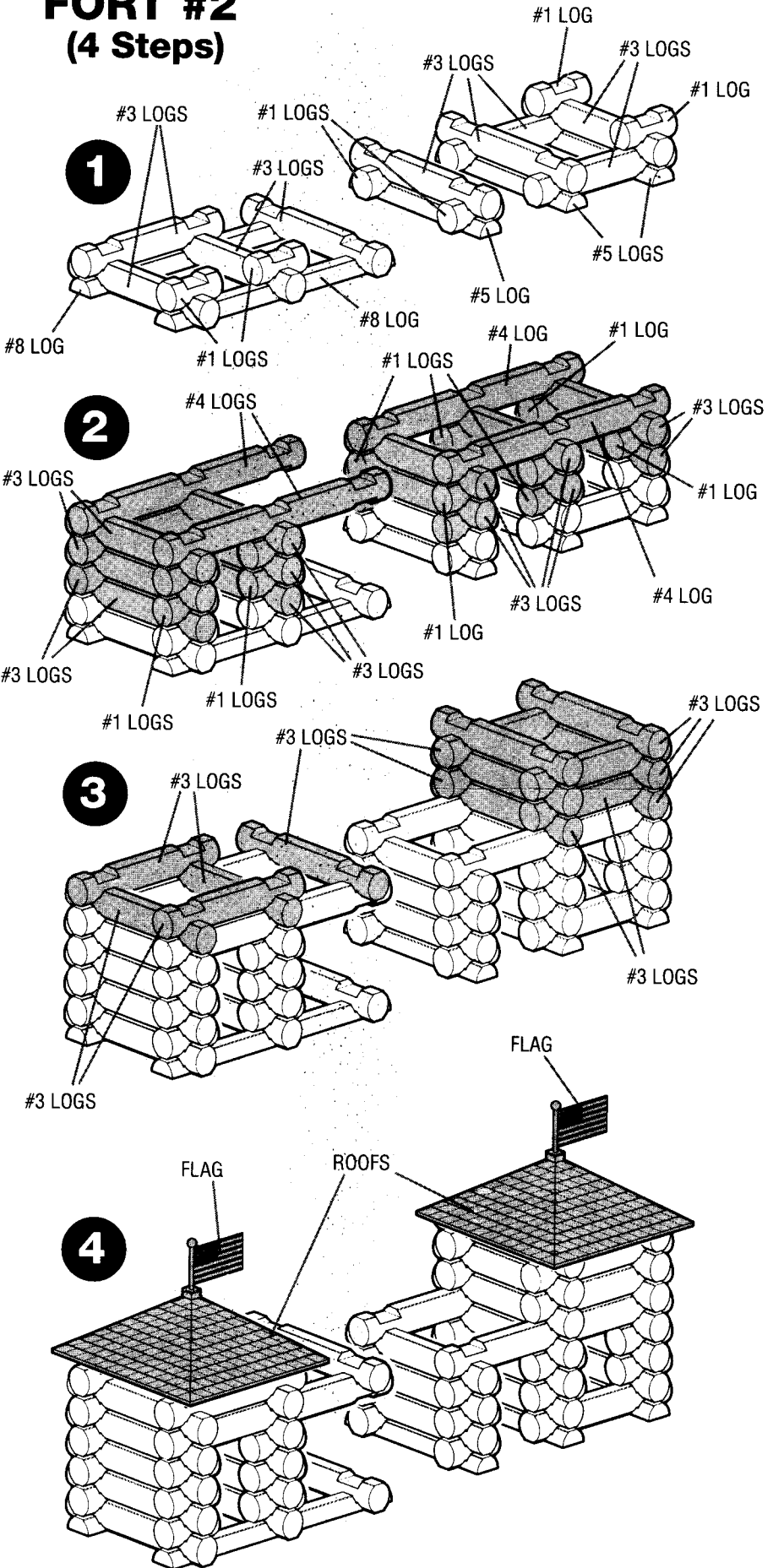
5



6



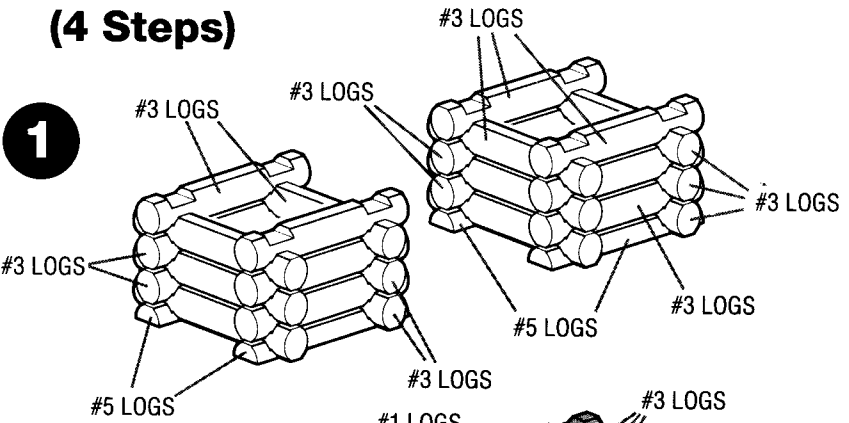
FORT #2 (4 Steps)



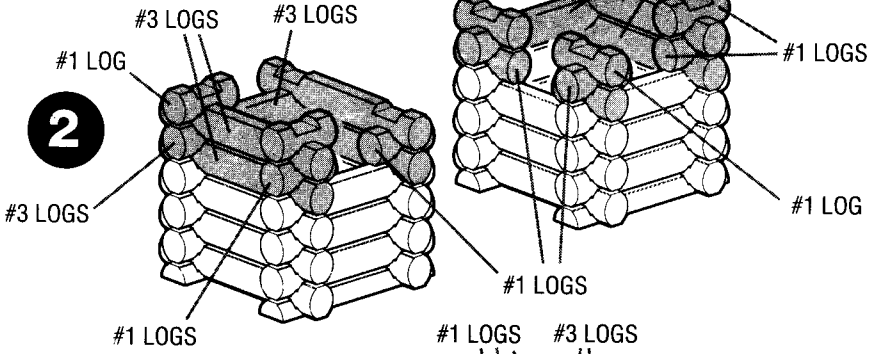
FORT #3

(4 Steps)

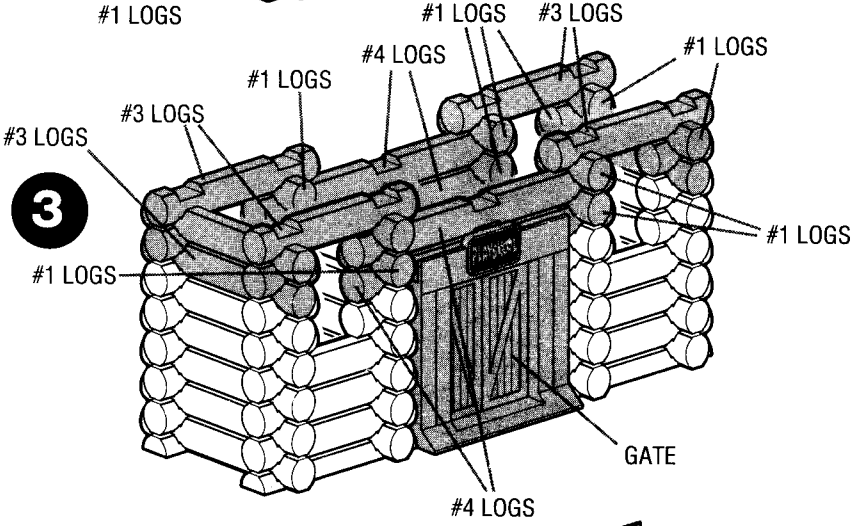
1



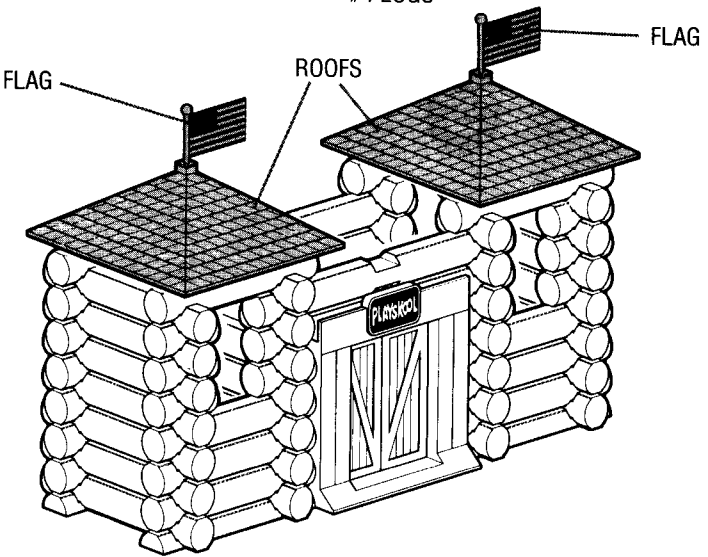
2



3



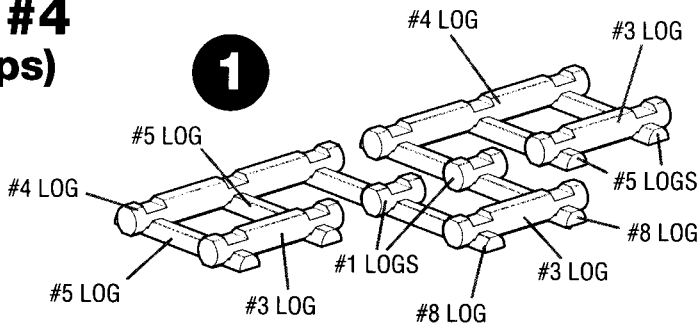
4



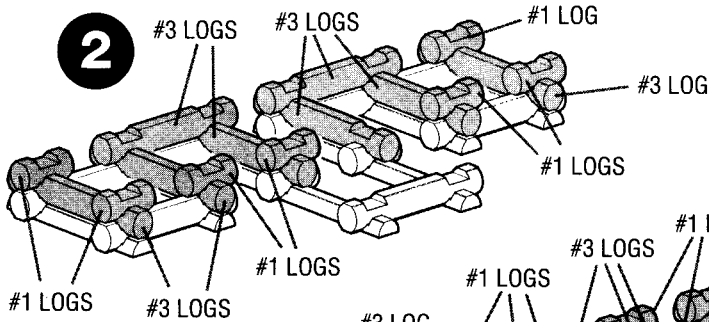
FORT #4

(5 Steps)

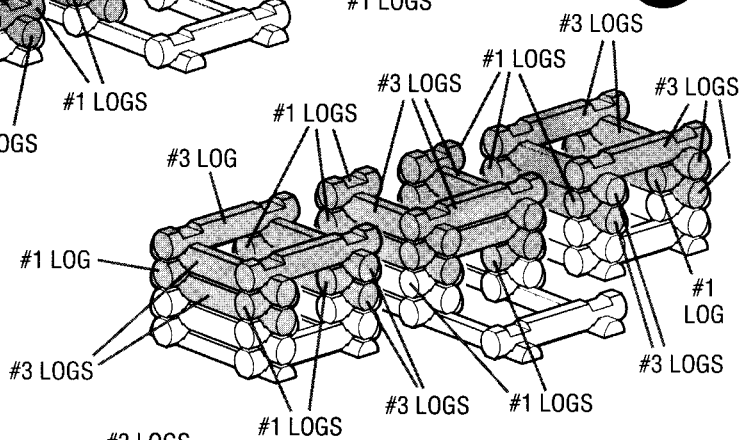
1



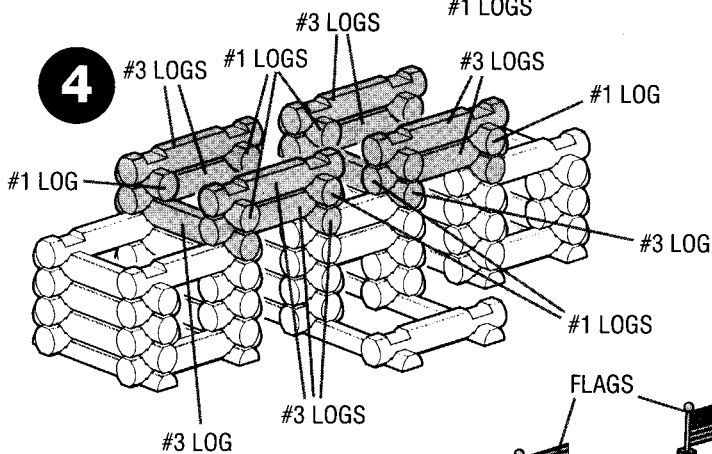
2



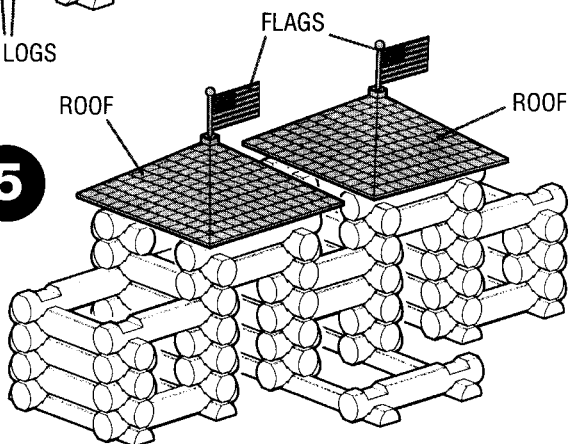
3



4



5



FORT #5 (5 Steps)

